

# Komba Series

## Solenoid Dosing pump

Komba is a simple solenoid dosing pump, operating with a micro-processor to manage the dosing, it is easy to operate with stable flow rate. It has four models: DMS, DML, DMC and DMM.

### Main features:

Max pressure: 10bar;

Max flow rate: 9L/H

Pump head: PVDF

### Applications:

Urban water treatment and waste water treatment, dosing of chlorine dioxide, reverse osmosis, food, beverage and pharmacy, etc.



## Compatible

PVDF pump head and ceramic ball valve as standard

- **PVDF** is suitable for almost all chemical used in the Industrial, Waste Water Treatment and potable Water applications
- The use of **Ceramic balls** as standard improves the pumping reliability and the chemical compatibility of the whole liquid end



## Reliable

Long life diaphragm tested to give 5 years working life

- The advanced design and manufacturing process allows the diaphragm to have a unique life expectancy
- Made of pure solid PTFE, the diaphragm is compatible with most chemicals
- The diaphragm has been tested over a period of 5 years giving superior results
- Routine diaphragm replacement is no longer a requirement



## Dosing model

The flow rate is adjustable manually or automatically (pulse or 4-20mA input);

DML, DMC and DMM have level control input;

The pump head has a manual priming valve.

## Liquid end

Pump head	PVDF
Ball	Ceramic
Seal	FPM/EPDM
Diaphragm	PTFE

## Installation

Horizontally mounted

Wall-mounted (optional)

# Komba Series

Solenoid diaphragm pump



## DMS Manual control

Flow rate manually adjustable by control dial on the front panel, Power-on LED indicator, with indication of frequency percentage(P%) and stroke number(F)

Hydraulic diaphragm pump



## DML Manual control with level control input

Flow rate manually adjustable by control dial on the front panel, Power-on LED indicator, with indication of frequency percentage (P%)and stroke number(F), level control input

Mechanical diaphragm pump& plunger pump



## DMC Automatic control(digital pulse signal input)

With operation status indication, level control input, have two dosing models:

- **Constant** The pump doses the rate selected with the button
- **Proportional** The pump doses proportionally to the digital input signal



## DMM Automatic control (4-20mA input)

With operation status indication, level control input, have two dosing models: :

- **Constant** The pump doses the rate selected with the button
- **Proportional** The pump doses proportionally to 4-20mA current signal

# Pumps identification

Version	
<b>DMS</b>	Flow rate by manual control
<b>DML</b>	Flow rate by manual control, with level control input
<b>DMC</b>	Flow rate by manual control Flow rate by automatic control: digital pulse signal input (water meter pulse signal); with level control input
<b>DMM</b>	Flow rate by manual control Flow rate by automatic control: 4-20mA current signal input; with level control input

Model	Pressure [bar]	Flow rate [L/H]	Stroke capacity [cc/stroke]	Ø Connections IN / OUT [mm]	Frequency max [stroke/min]	Consumption [W]	Weight [Kg ]	Carton size (LxWxH)
<b>200</b>	10	3	0.31	4 / 6	160	14	2.5	280×205×180
	8	5	0.52					
	2	9	0.93					
<b>201</b>	7	1	0.10					

Power supply	
<b>A</b>	DMS: 240Vac, 50Hz
<b>N</b>	DML,DMC and DMM: 100-240Vac, 50/60Hz

Liquid end material		
<b>H</b>	Pump head: PVDF	Ball: Ceramic Diaphragm: PTFE

Installation kit	
<b>P</b>	PVDF

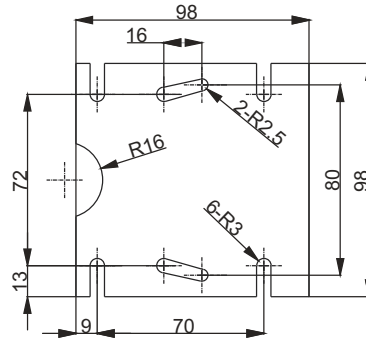
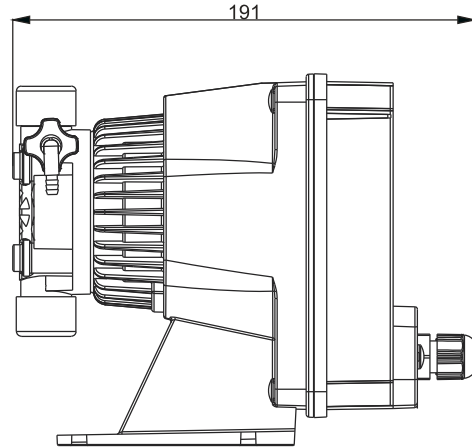
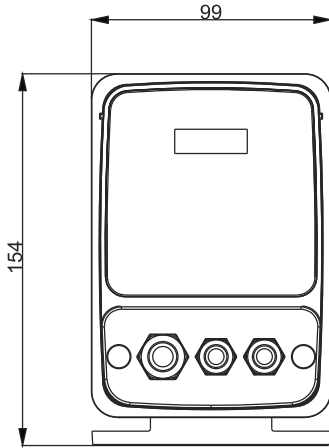
Seal	
<b>0</b>	FPM
<b>1</b>	EPDM

Options	
<b>800</b>	option

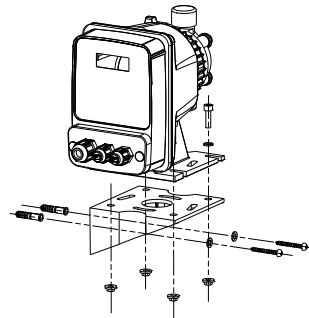
**DML | 200 | N | H | P | 0 | 800**

# Technical features

## Dimensional drawing



## Wall-mounted(optional)



## Installation kit

The pumps are supplied complete with the indispensable accessories for their correct installation as: Foot filter, injection valve, PE tube (delivery), PVC tube (suction)



Suction tube  
(PVC,4m)(Ø 4x6)



Delivery tube  
(PE,2m)(Ø 4x6)



Injection(PVDF)  
(G3/8"and G1/2")



Foot valve  
(PVDF)